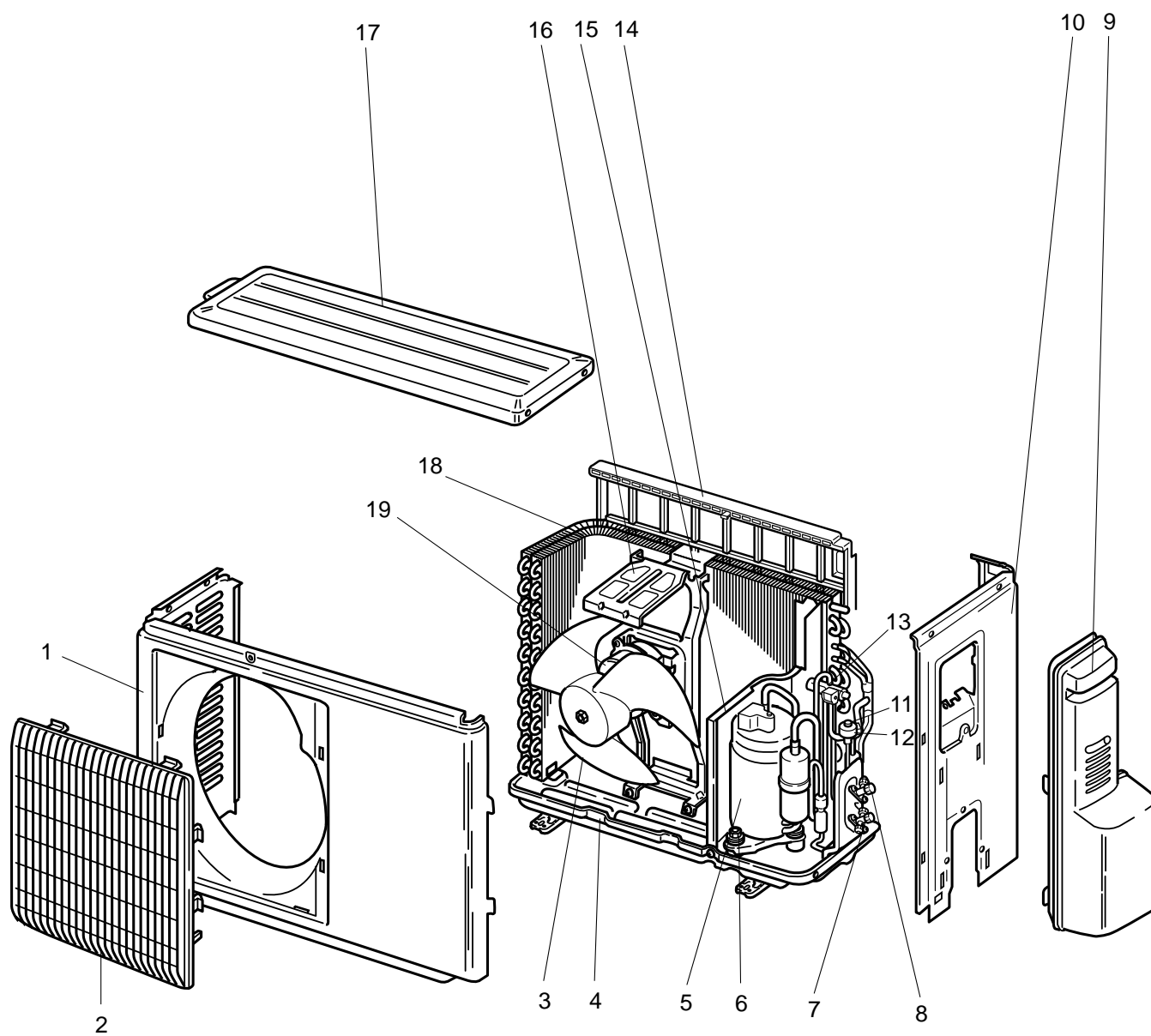


## MUZ-GB35VA

## 1-1. OUTDOOR UNIT STRUCTURAL PARTS AND FUNCTIONAL PARTS



# MUZ-GB35VA

## 1-2. OUTDOOR UNIT ELECTRICAL PARTS

